

ring



Floodlight Battery
Smart Lighting

1. Set up your Floodlight.

Download the Ring app.

The app walks you through setting up and managing your Ring Floodlight Battery.

Search for “Ring” in one of these app stores, or visit: ring.com/app



Set up your Ring Bridge.

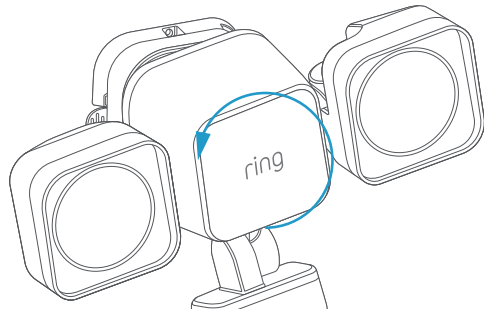
The Bridge connects your Ring Smart Lights to the Ring app and the rest of your Ring devices.

To set up your Bridge, follow the instructions in the Ring app or the Bridge user manual.



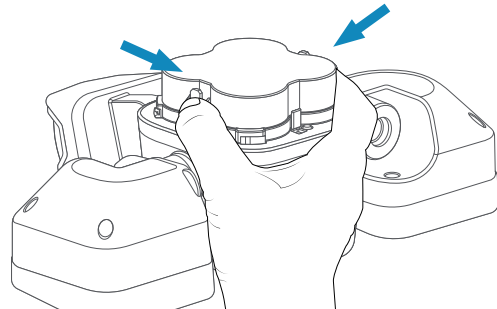
Remove the back cover.

Twist your Floodlight counter-clockwise to unlock and separate it from the back cover.



Remove the battery lid.

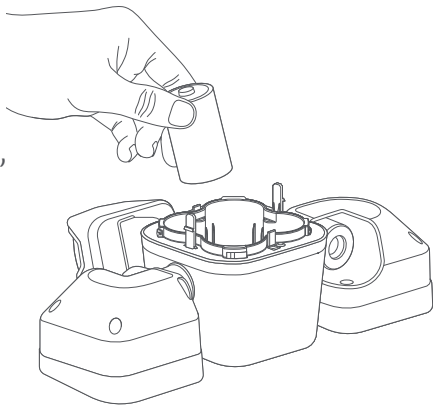
Press the side buttons on the battery lid to remove it and open the battery compartment.



Insert the batteries.

Insert four D Cell batteries (not included), matching the flat ends with the springs.

Then place the lid onto the compartment and push down to snap it into place.

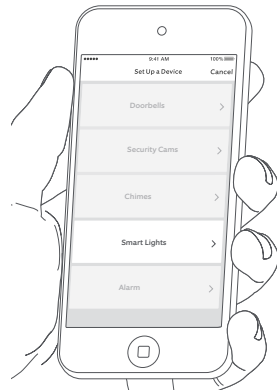


Set up your Floodlight Battery in the Ring app.

In the app, tap **Set Up a Device**.

When prompted, select **Smart Lights** and follow the in-app instructions.

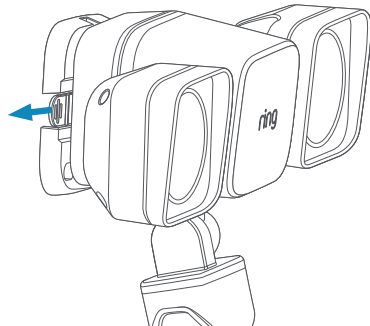
After setup, replace the back cover (be sure to line up the arrows).



2. Install your Floodlight.

Remove the mounting plate.

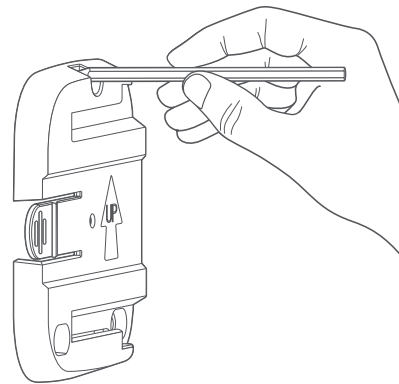
Press the tab on the side and slide the mounting plate off of the back cover.



Mark pilot holes.

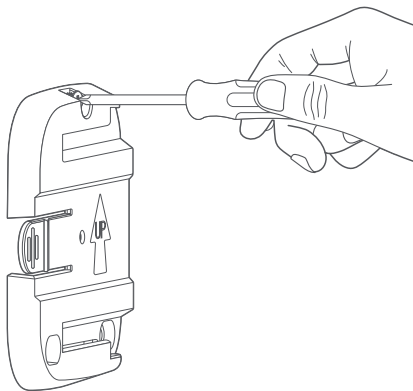
If installing on a masonry surface, use the mounting plate as a template to mark pilot holes, making sure the "UP" arrow is pointing upwards.

Then drill the holes and insert the anchors.



Drive the screws.

Hold the mounting plate firmly against the surface and drive the three mounting screws.

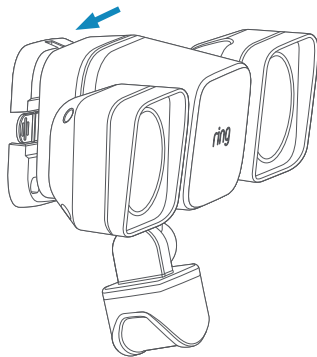


Mount your Floodlight.

Align your Floodlight with the mounting plate and slide it to the left to lock it in.



The motion sensor is adjustable. Try various angles to find the best setting for your home.



For additional help, visit: ring.com/help

Or give us a call...

US 1 800 656 1918

Canada 1 855 300 7289

Worldwide +1 310 929 7085

For a list of all our customer support numbers, visit: ring.com/callus

To review your warranty coverage, please visit www.ring.com/warranty.

Patents: www.ring.com/patents

© 2019 Ring LLC or its affiliates.

RING, ALWAYS HOME, and all related logos are trademarks of Ring LLC or its affiliates.

Last updated: 01/04/19